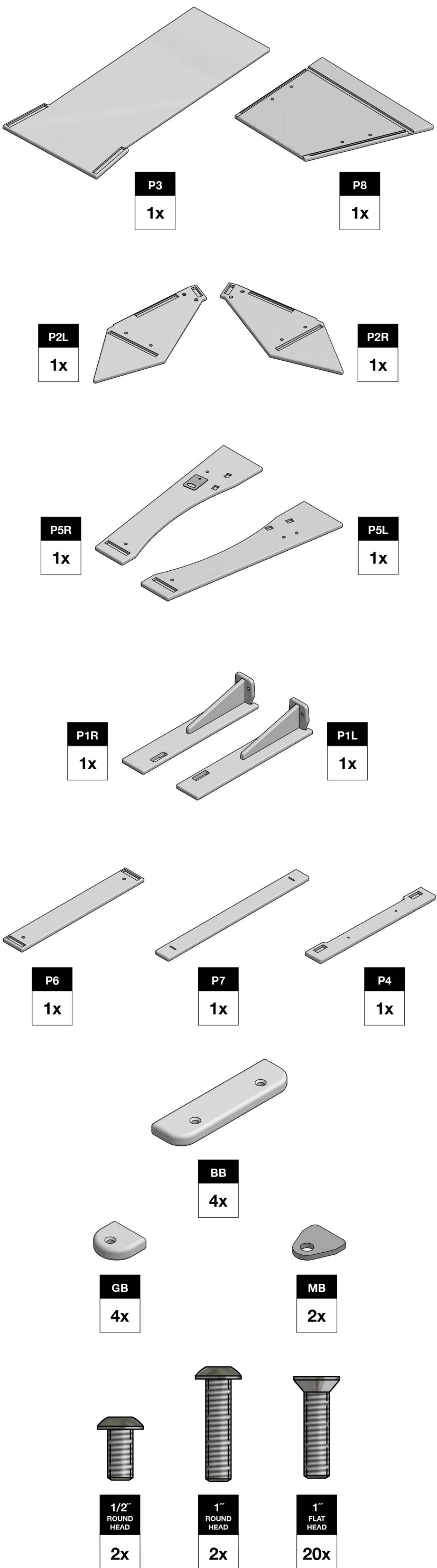


INCLUDED PARTS



*Bolts shown actual size.

ASSEMBLY TIPS: 5 Important Points You **NEED** to Read

1. Prior to beginning assembly, please inspect and inventory the parts to make sure you have everything and that nothing was damaged during shipping. If damage has occurred, please take photos and go to lollidesigns.com/damage. Rest assured we'll get it taken care of straight away!
2. To avoid scratching furniture, assemble on a clean soft surface like a blanket, carpet, or the flattened cardboard box the furniture was shipped in.
3. **Start all bolts by hand to ensure proper alignment and to prevent cross threading.** Then using the Allen Key or Loll Tool, tighten until you feel resistance.
4. Bolts should not be forced, but some components, particularly the blocks will need a bit of muscle to get them together as they are machined for a snug fit. If parts are still not going together, please send us a photo of the part you are having trouble with.
5. You can use a cordless screw gun if you have one and know how to use it. Set the clutch setting at low to medium torque. **We do not recommend using an electric drill without a clutch** to install bolts as you can easily overtighten and damage the product.

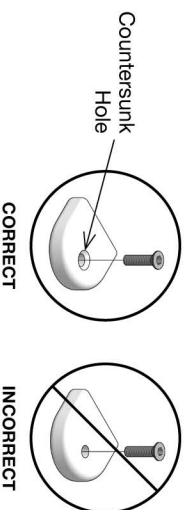
LOLL TOOL

Locate the box marked "Tool Included" before beginning assembly.



BLOCK & BOLT INSTALLATION

Insert bolts through countersunk hole side of blocks as shown below.



"Loll Designs inspires people to appreciate the outdoors."

Greg Benson - Founder/CEO

♻️ RECYCLE THE PACKAGING

We've gone through great lengths to make as much of our packaging as possible recyclable. The cardboard box, paper wrap, filler and paper bags can all go in your recycling bin. The muslin hardware bags replaced plastic bags with the intention of reducing plastic and encouraging reuse. Loll Designs and Planet Earth thank you!

WE WANT YOU TO LOVE YOUR LOLL

For more info and visual aids, watch the assembly videos at www.lollidesigns.com/videos. For product care & maintenance, visit www.lollidesigns.com/care-maintenance. For further lollygagging assistance, please reach out!

+1 877-740-3387

sales@lollidesigns.com

5912 Waseca Street
Duluth, Minnesota 55807

ASSEMBLY INSTRUCTIONS & PRODUCT INFO:

WESTPORT ADIRONDACK



loll
DESIGNS

MADE IN THE USA



ORIGINAL Member



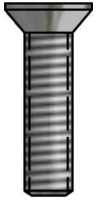
it's good to be recycled

1

P3 1x

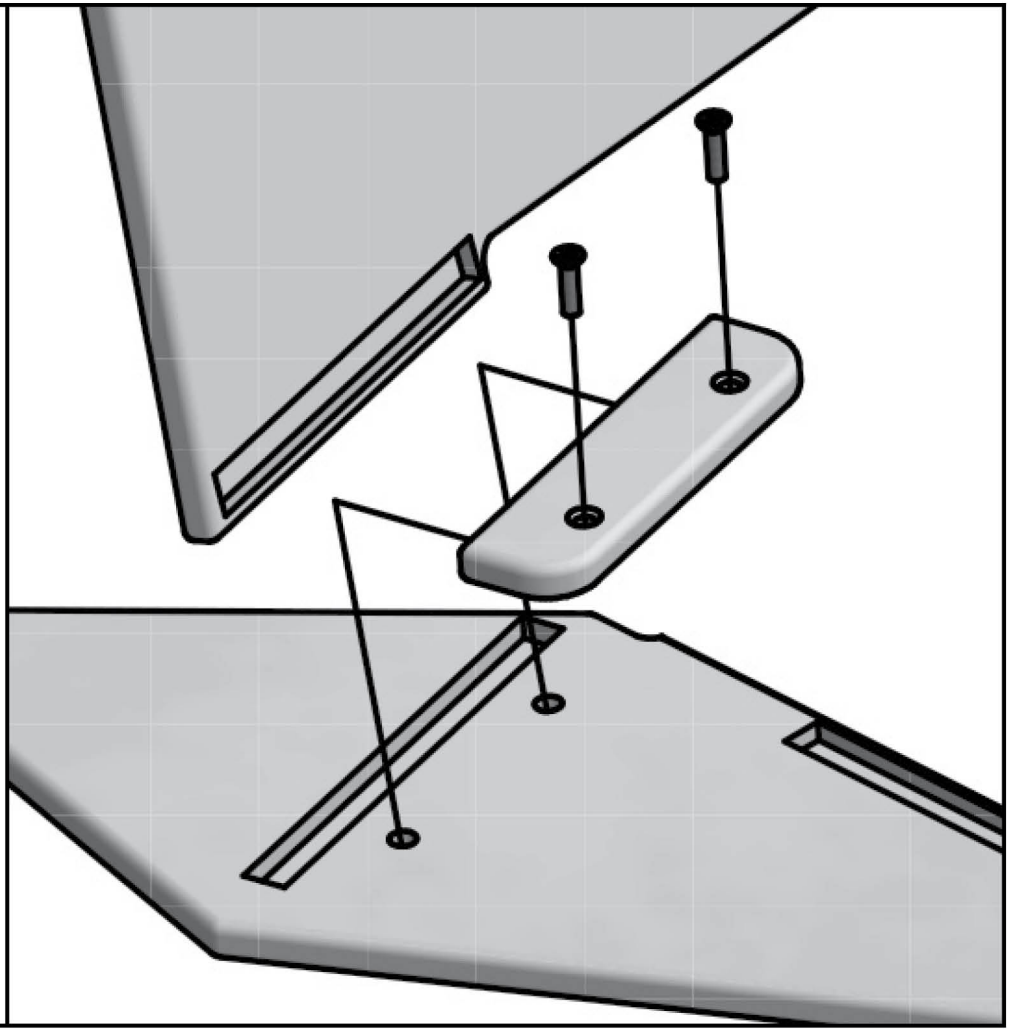
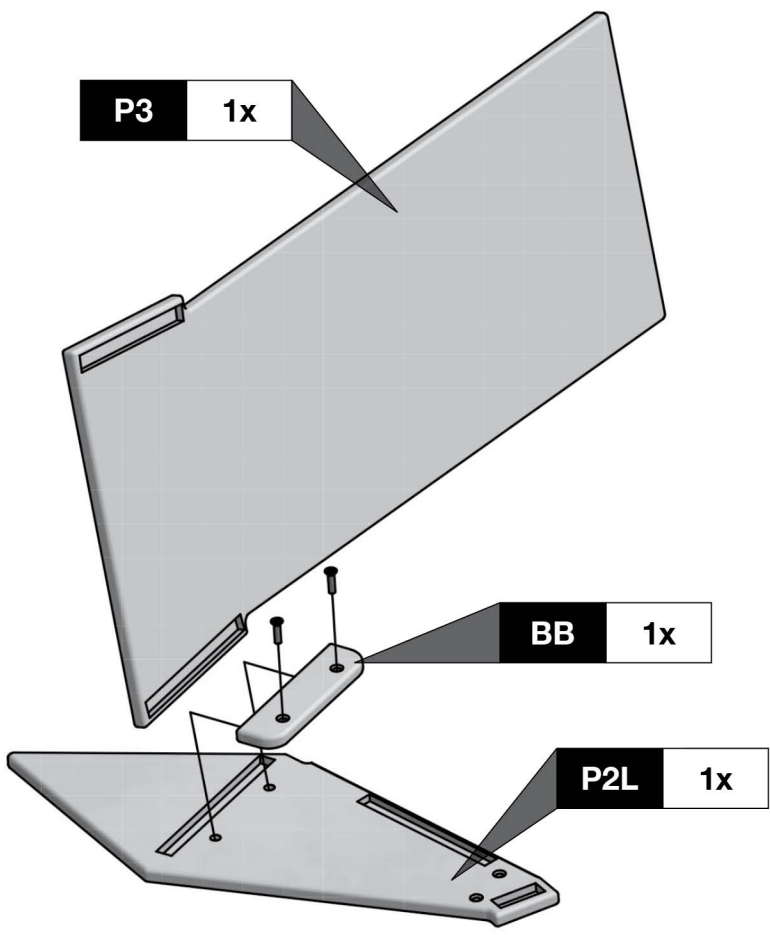
BB 1x

P2L 1x



1" FLAT HEAD

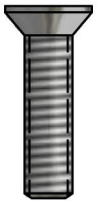
2x



2

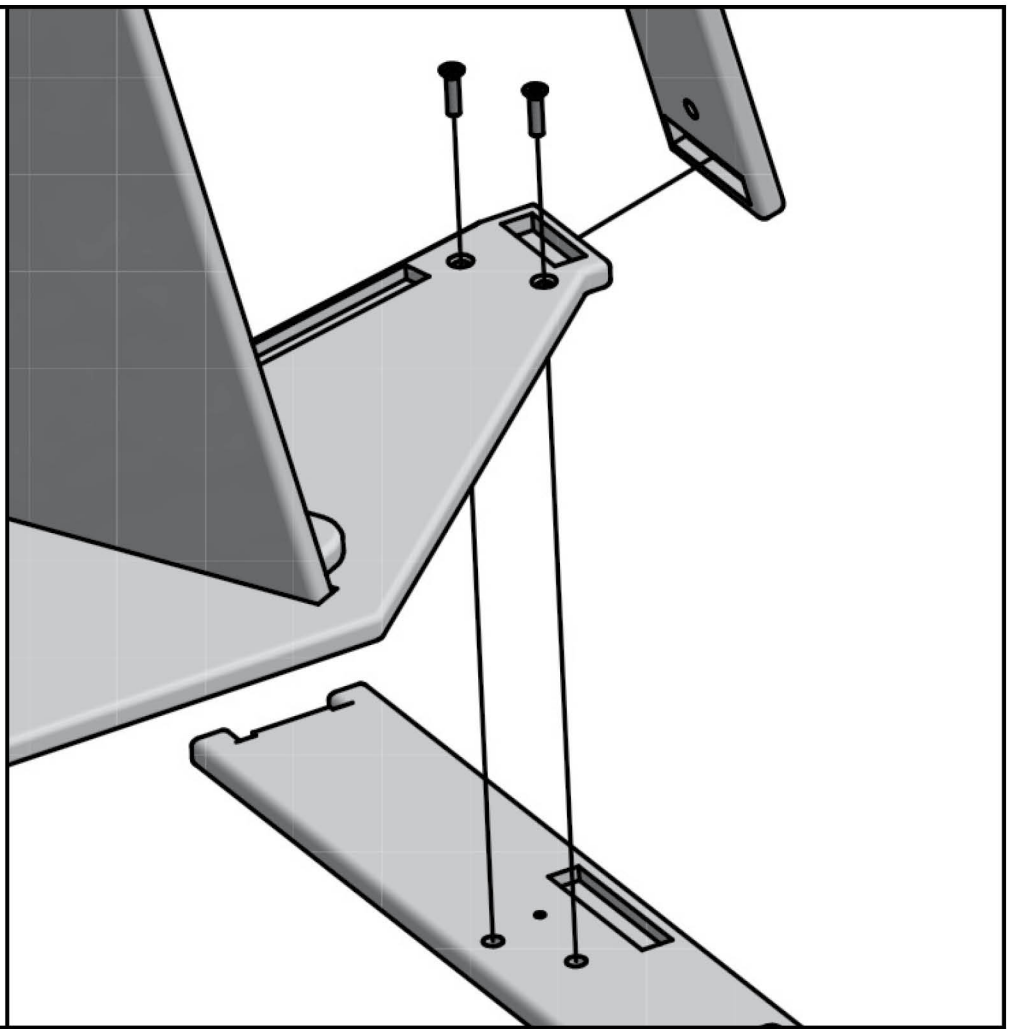
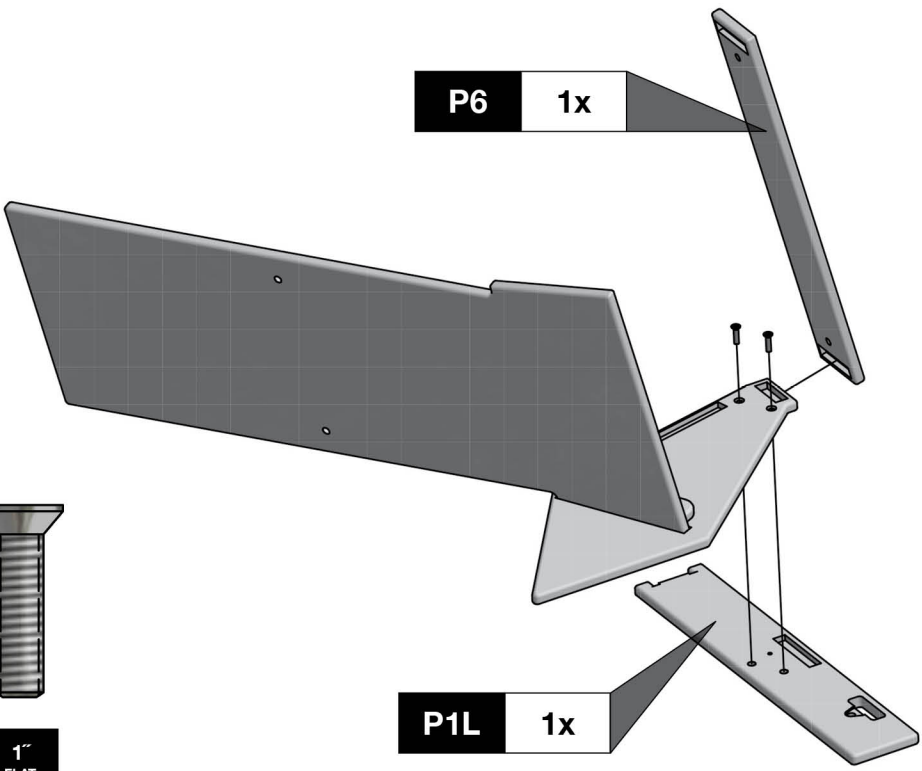
P6 1x

P1L 1x



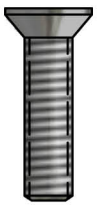
1" FLAT HEAD

2x



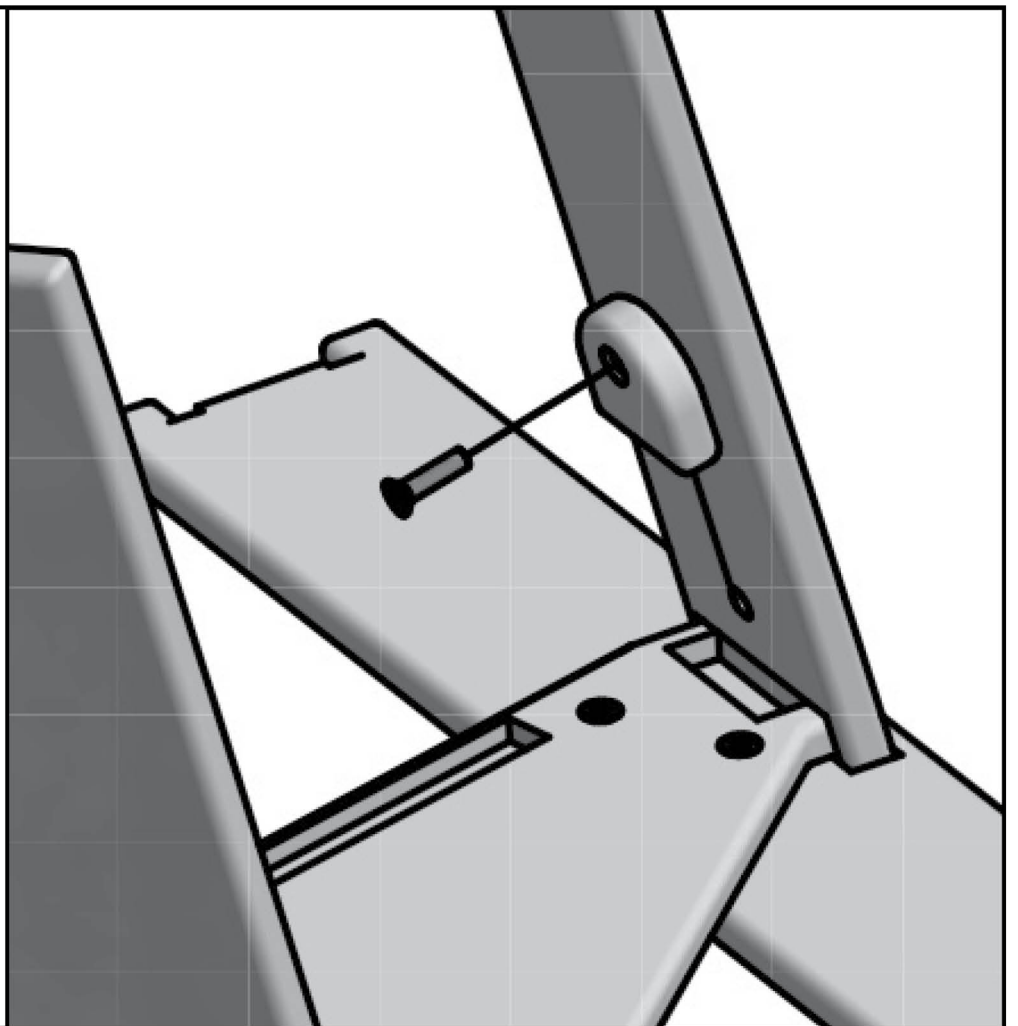
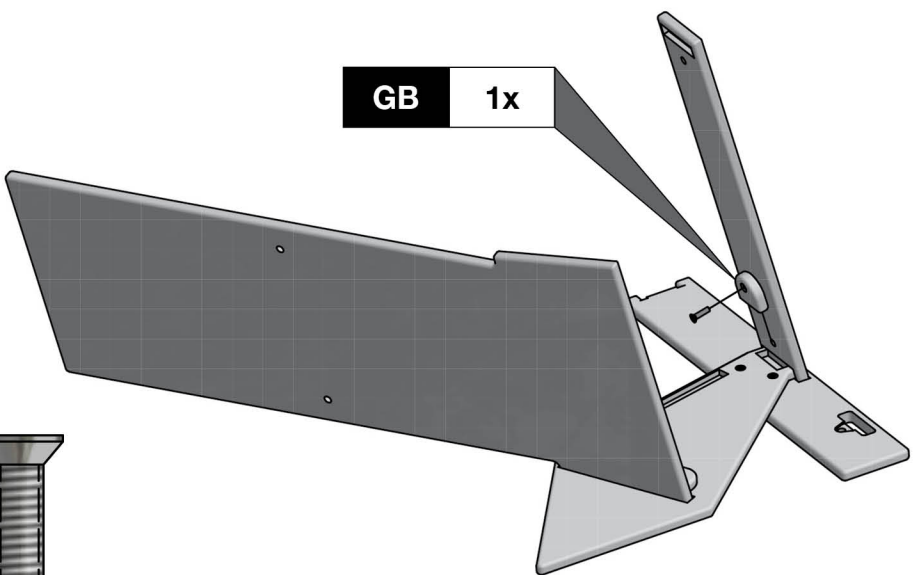
3

GB 1x

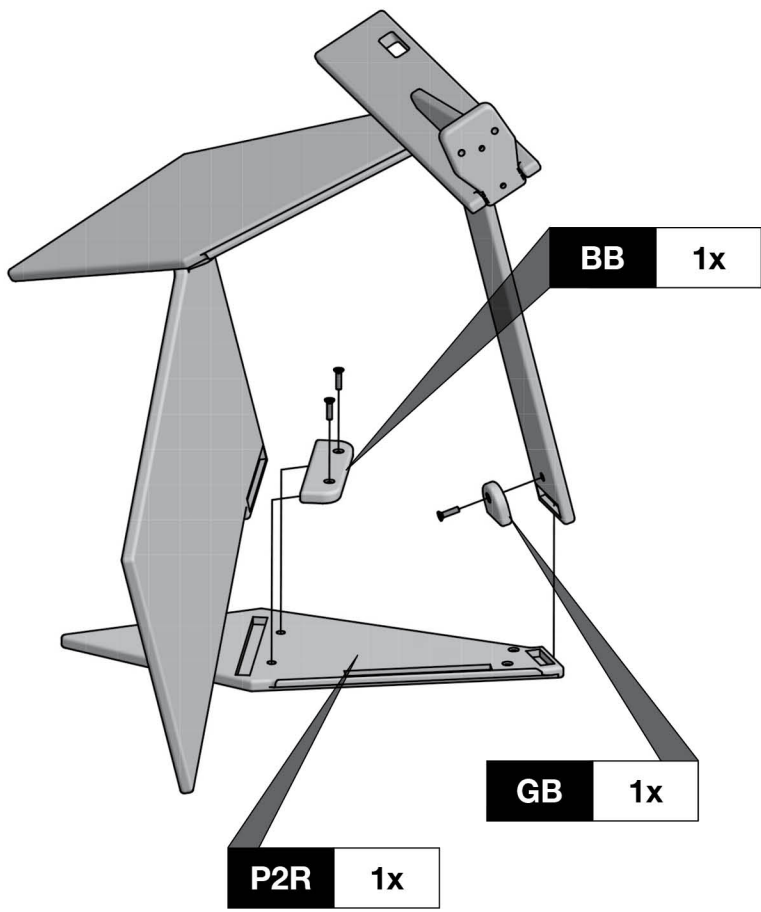


1" FLAT HEAD

1x

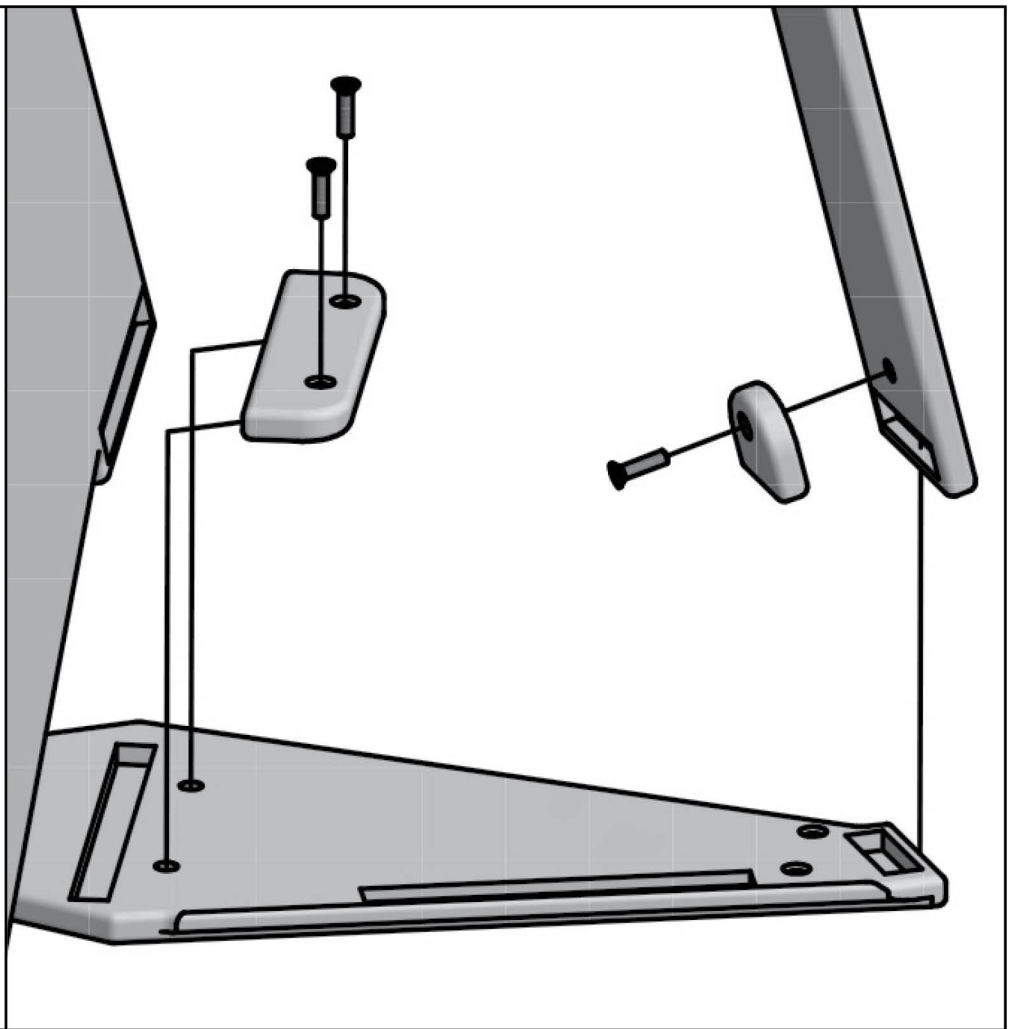


4

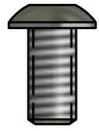
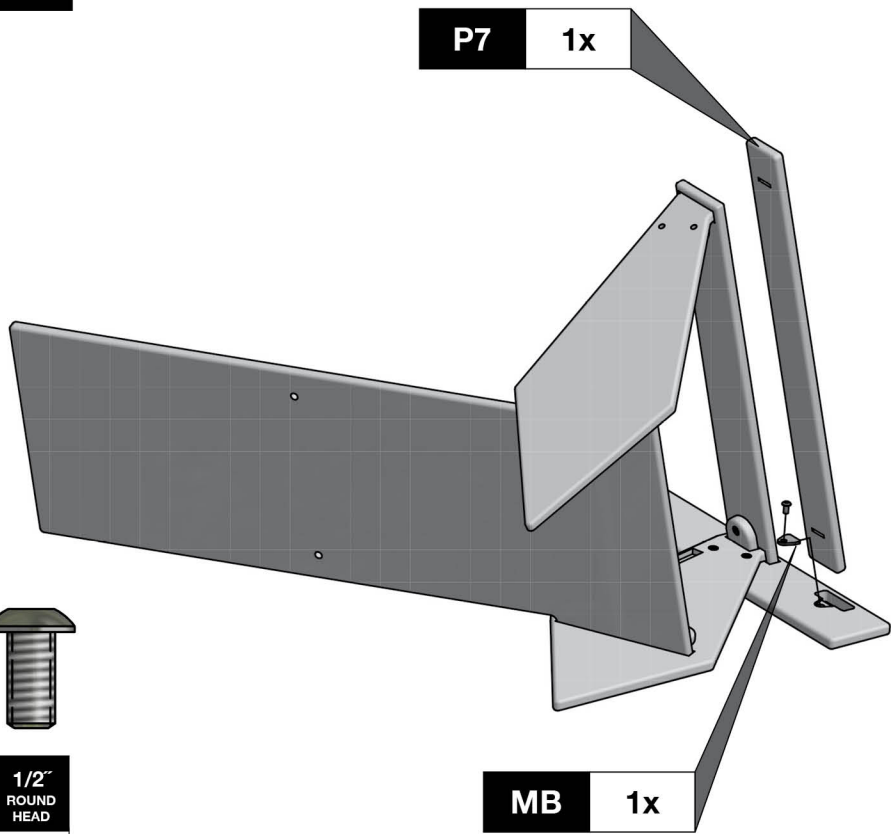


1" FLAT HEAD

3x

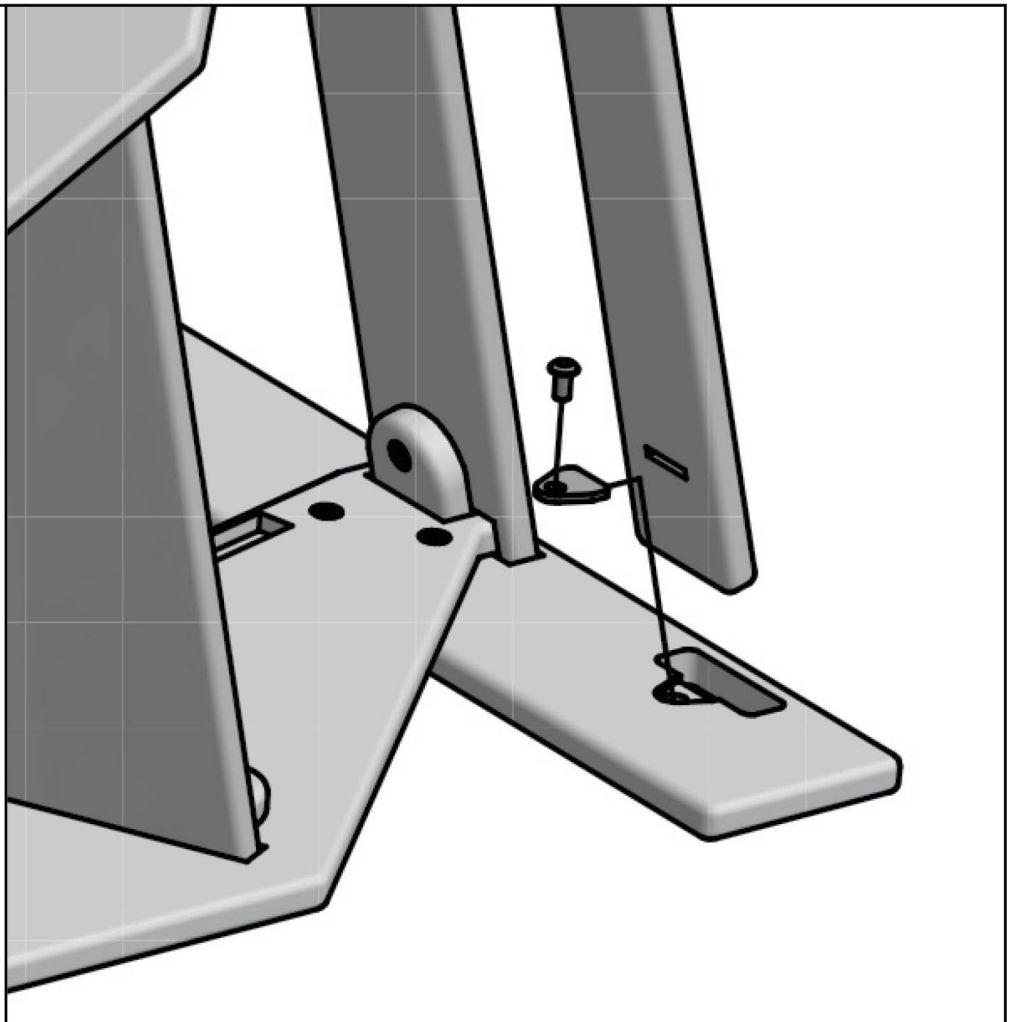


5

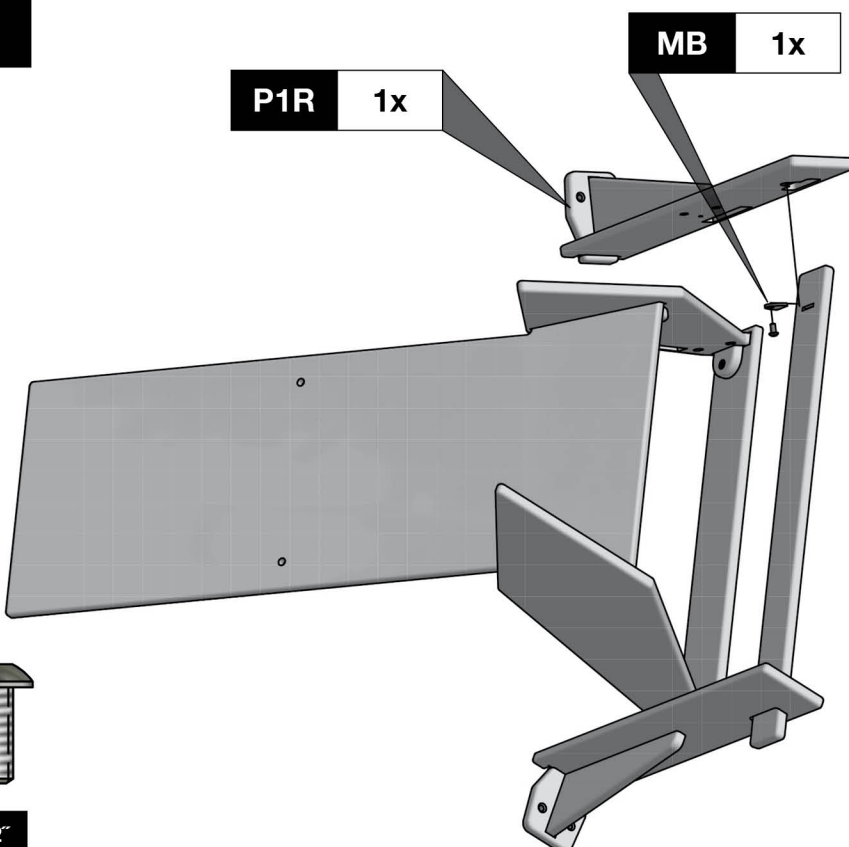


1/2" ROUND HEAD

1x



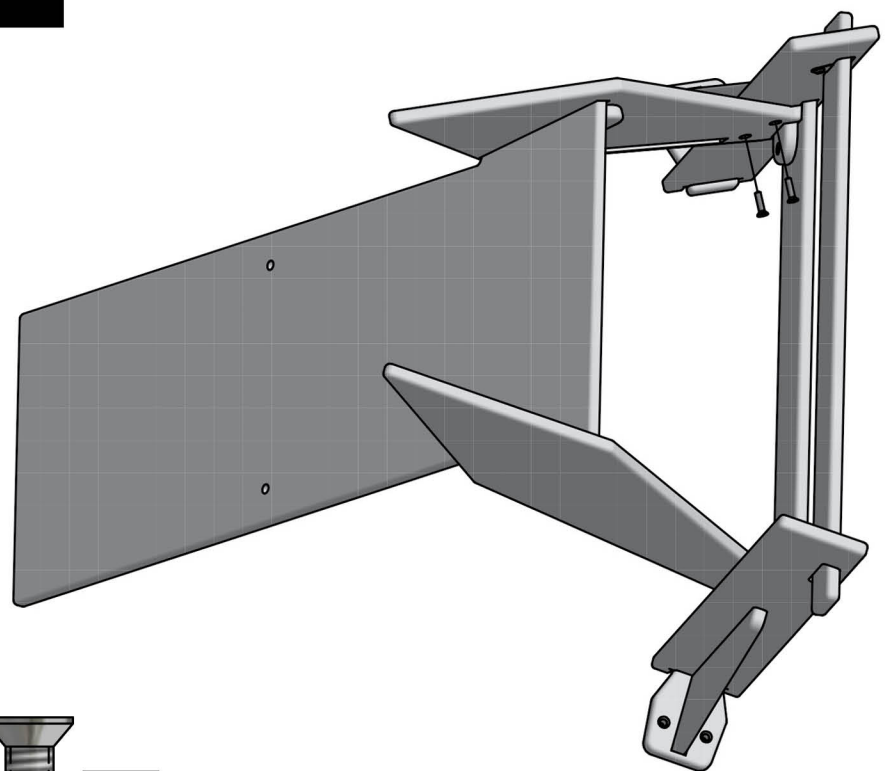
6



1/2" ROUND HEAD

1x

7

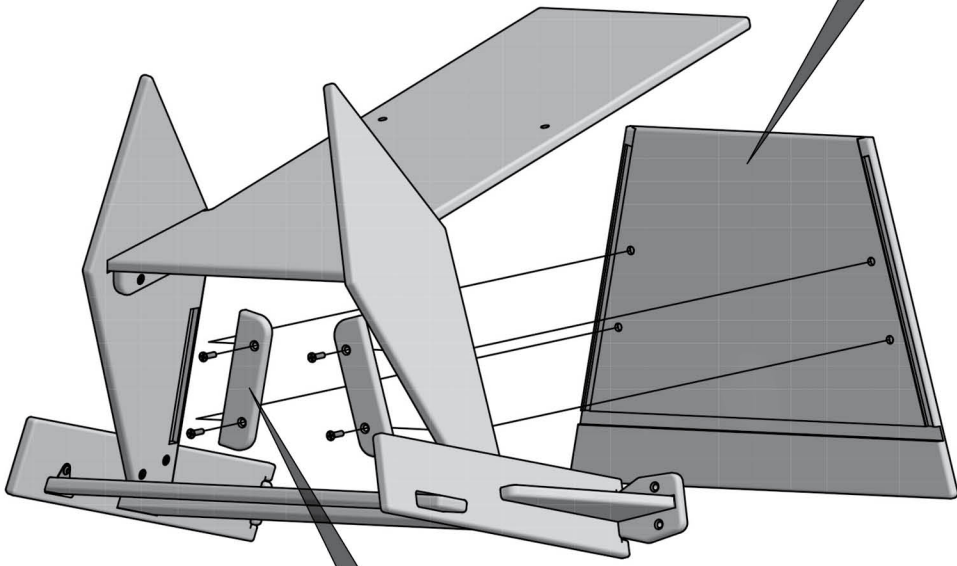


1" FLAT HEAD

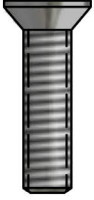
2x

8

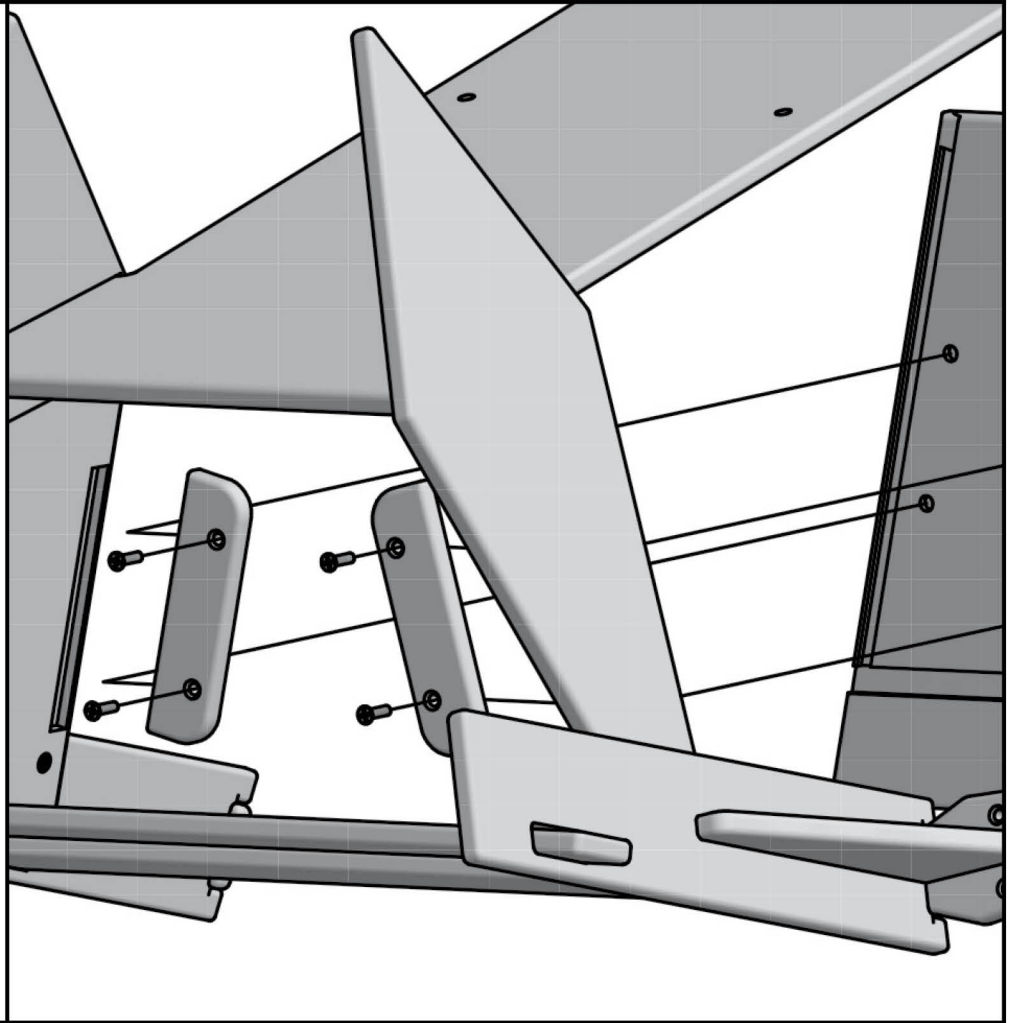
P8 1x



BB 2x

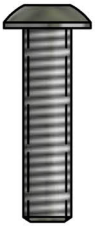
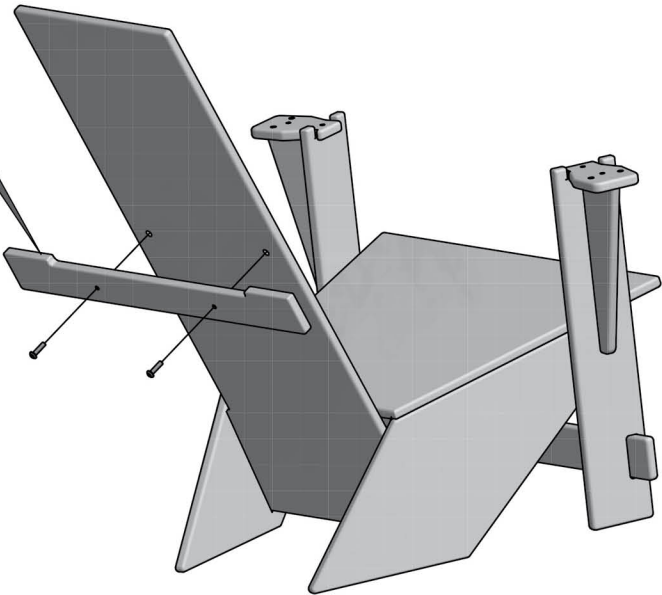


1" FLAT HEAD
2x

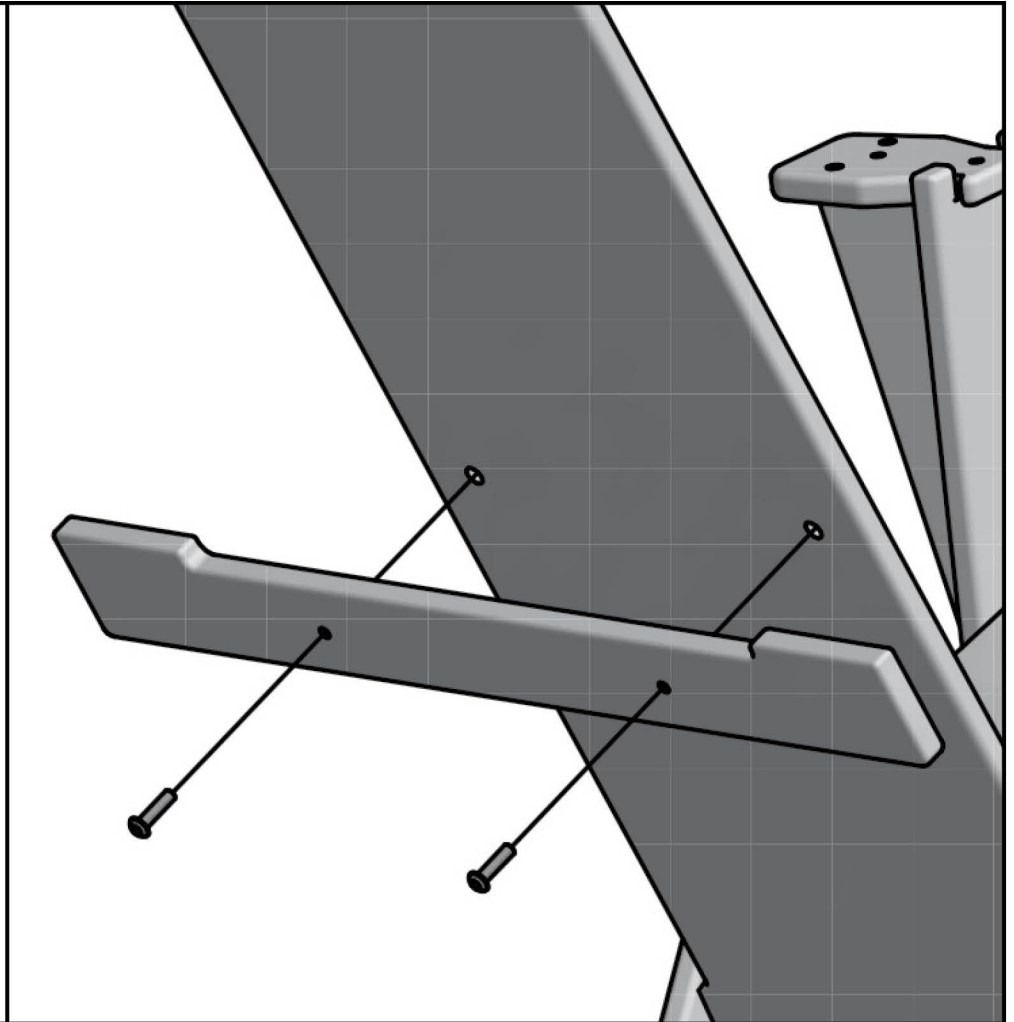


9

P4 1x



1" ROUND HEAD
2x

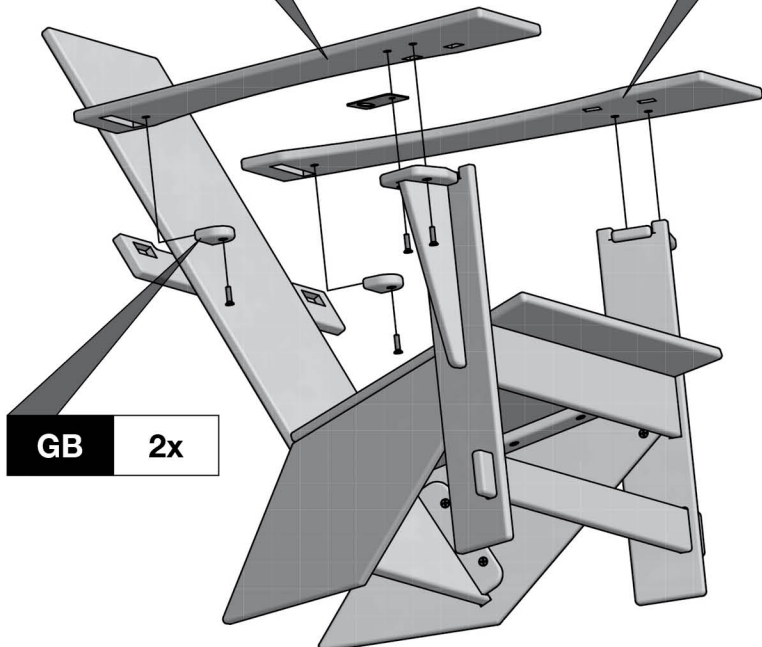


10

P5R 1x

P5L 1x

GB 2x



1" FLAT HEAD
6x

**Do not remove tape from bottle opener in Right Arm (P5R) until all bolts are tightened and secure.*

